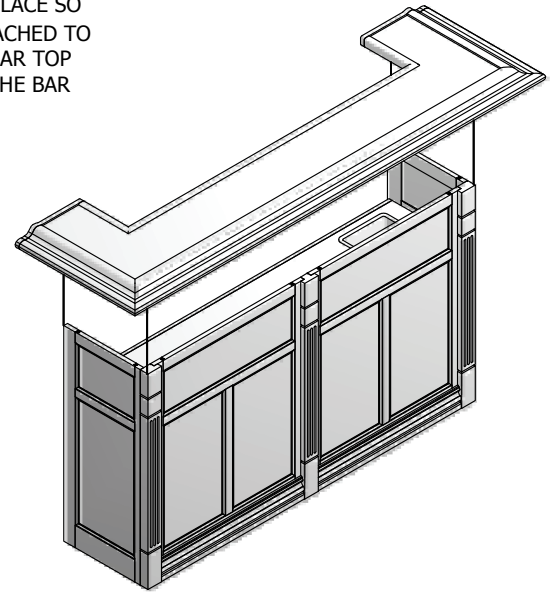


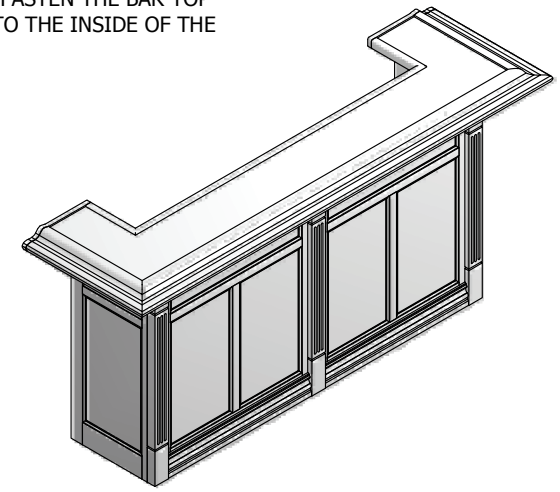
NAPA STRAIGHT BAR ASSEMBLY INSTRUCTIONS



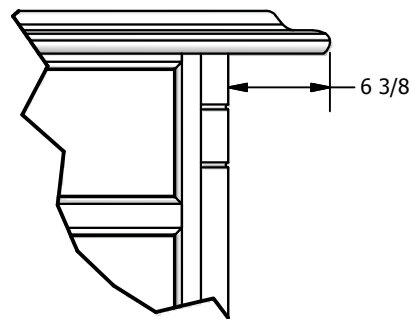
1 LIFT THE BAR TOP IN PLACE SO THAT THE BRACKETS ATTACHED TO THE UNDERSIDE OF THE BAR TOP REST TO THE INSIDE OF THE BAR CASE.



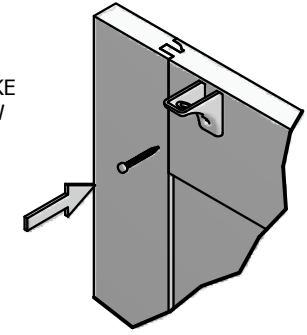
2 USING THE SCREWS PROVIDED, CAREFULLY FASTEN THE BAR TOP BRACKETS TO THE INSIDE OF THE BAR CASE.



NOTE: THE BAR TOP SHOULD OVERHANG THE FRONT OF THE BAR CASE BY ABOUT 6 3/8".



NOTE: DO NOT OVERTIGHTEN OR DEFORM THE BRACKETS. TAKE CARE NOT TO DRIVE THE SCREW THROUGH THE BAR CASE.



NOTE : CABINET HINGES MAY SHIFT DURING SHIPPING. USE THE HINGE ADJUSTMENT SCREW TO SQUARE THE DOOR WITH THE BAR CASE.